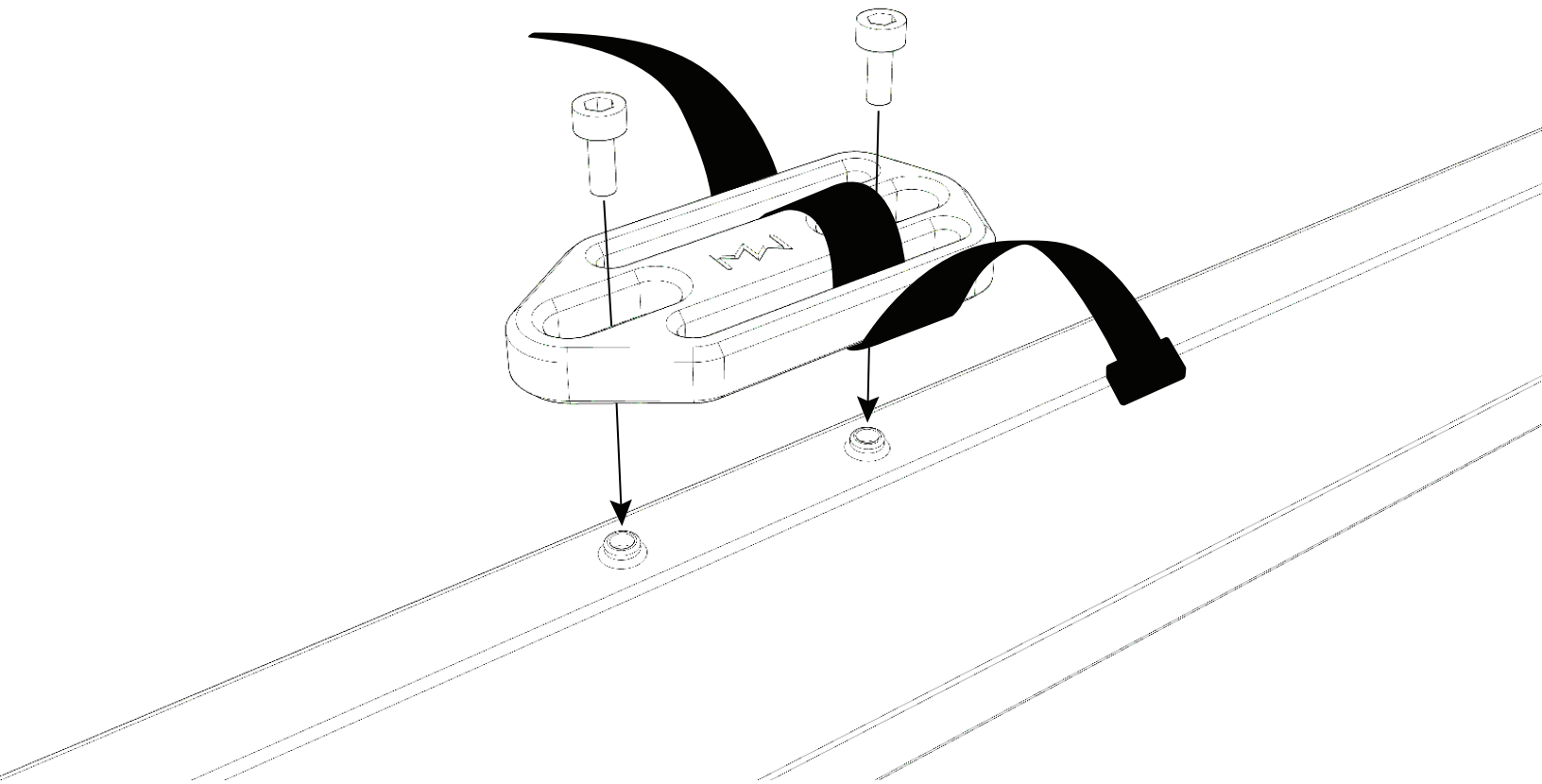


BIKE ACCESSORY STRAP MOUNT

To install the BASM to your bicycle frame, locate the waterbottle holder location. Using the existing hardware attached to the frame, install the Bike Accessory Strap Mount and velcro strap as depicted.



Share your setup with us and the world!



support@modwallsport.com

MODWALLSPORT.COM