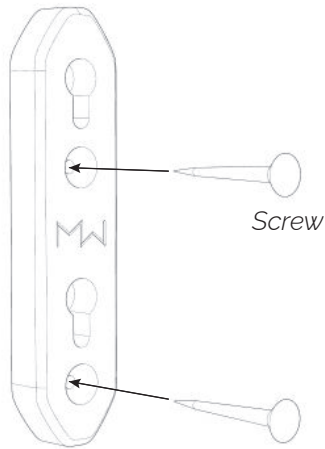


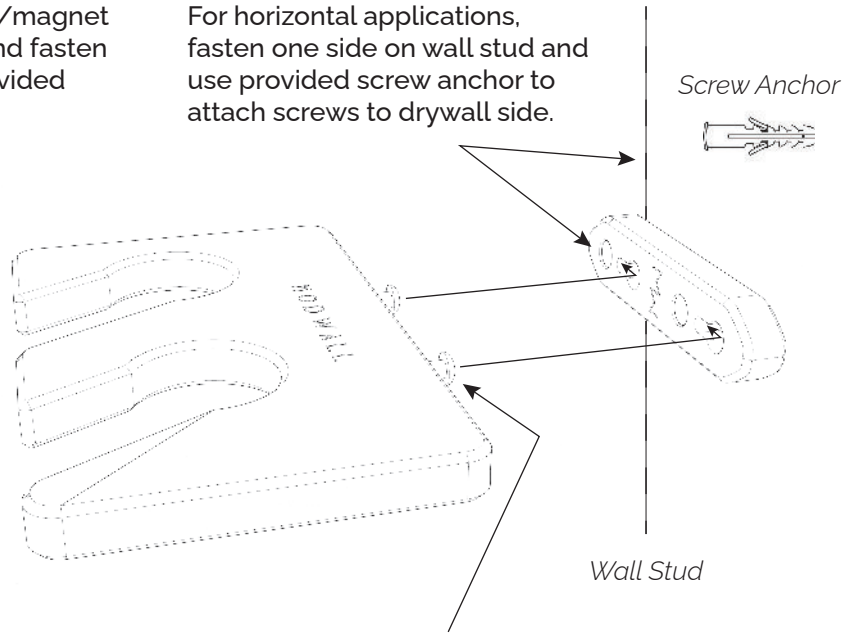
NANO MOUNT INSTALLATION

Locate wall stud with a studfinder/magnet for your desired mount location and fasten Nano Mount flush to wall with provided drywall screws.



Wall Stud

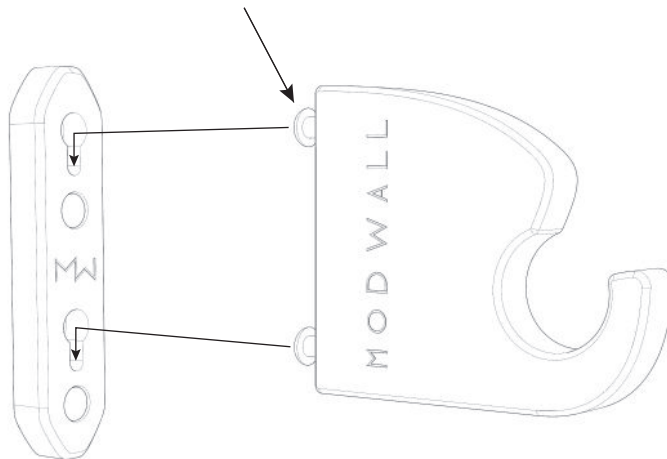
For horizontal applications, fasten one side on wall stud and use provided screw anchor to attach screws to drywall side.



Screw Anchor

Wall Stud

All ModWall Sport accessories are compatible with Nano Mounts. Simply adjust the slot screws on back of accessories for a snug and secure fit. Tight fitment recommended!



Share your setup with us and the world!



support@modwallsport.com

MODWALLSPORT.COM